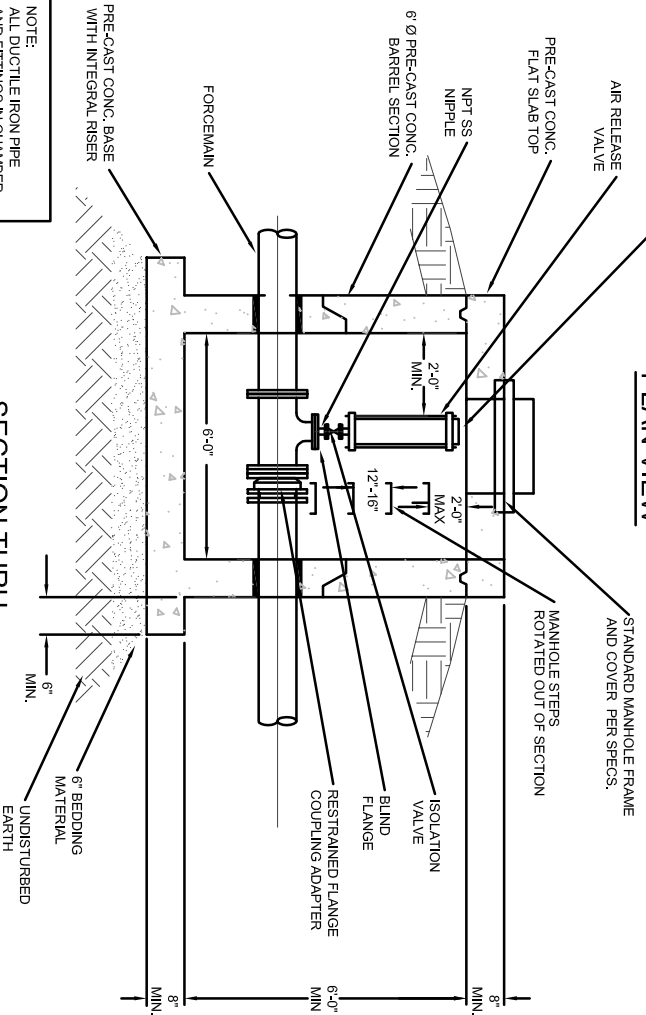
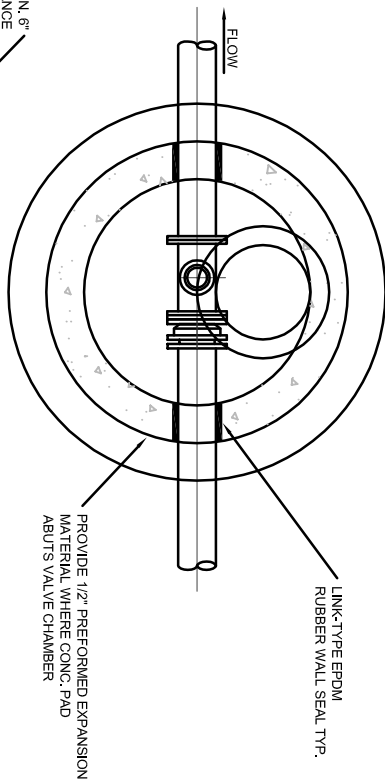


NOTE:  
ALL DUCTILE IRON PIPE  
AND FITTINGS IN CHAMBER  
SHALL HAVE EPOXY COATING

**SECTION THRU**



**PLAN VIEW**



**AIR RELEASE VALVE  
CHAMBER**



BUTLER COUNTY  
WATER AND SEWER  
  
130 HIGH STREET  
HAMILTON, OH 45011  
TELEPHONE: 513-887-3066  
FAX: 513-887-3777