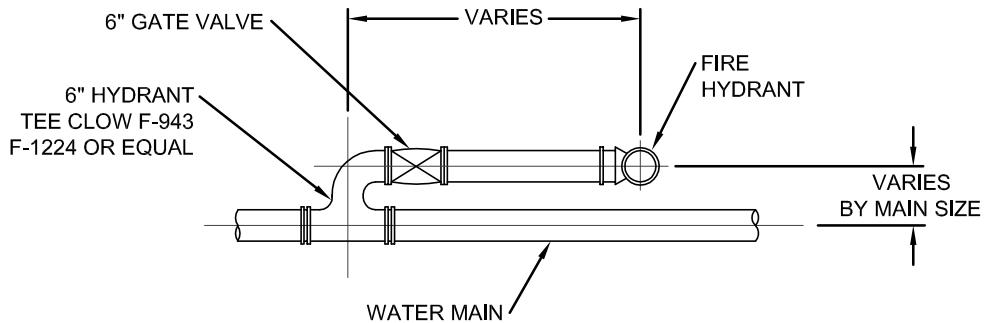


STANDARD HYDRANT SETTING

NOTES APPLY TO BOTH DETAILS:

- 1.) FITTINGS TO BE MECHANICAL JOINT HYDRANT ANCHOR FITTINGS.
- 2.) SEE TYPICAL FIRE HYDRANT INSTALLATION DETAIL FOR ADDITIONAL DETAILS.



ALTERNATE HYDRANT SETTING
(MUST BE APPROVED BY THE ENGINEER)

SETTINGS FOR HYDRANT ADJACENT TO MAIN



BUTLER COUNTY
WATER AND SEWER

130 HIGH STREET
HAMILTON, OH 45011
TELEPHONE: 513-887-3066
FAX: 513-887-3777

5120